



# CLEAN BOOTH

## Product Description

P2M Clean Booth is a cost efficient alternative to a clean room. ISO 14644-1 Class 5 cleanliness is achievable with this versatile equipment. Flexible and economical, it may be easily relocated or expanded as required.

The steel framework offers a stable structure yet requires minimal construction time. The unit also allows for easy height adjustment.

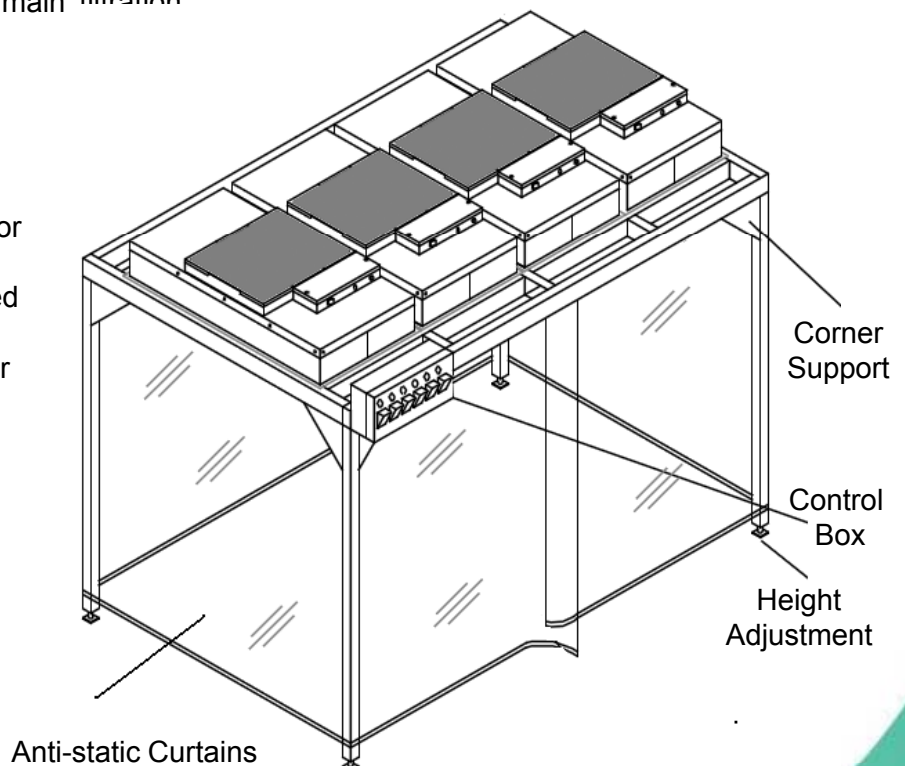
The side panels can be constructed out of acrylic or anti-static vinyl sheet as per customer's requirement.

HEPA filter with a filter efficiency of 99.97% for 0.3 $\mu$ m or larger particles ensures a clean environment within the Clean Booth. For more stringent requirement, ULPA filter maybe be installed as the main filtration system.

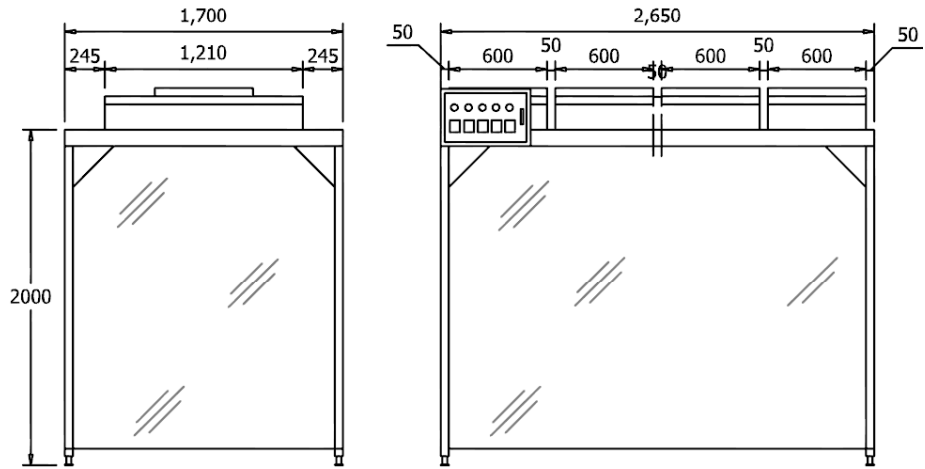


## Features

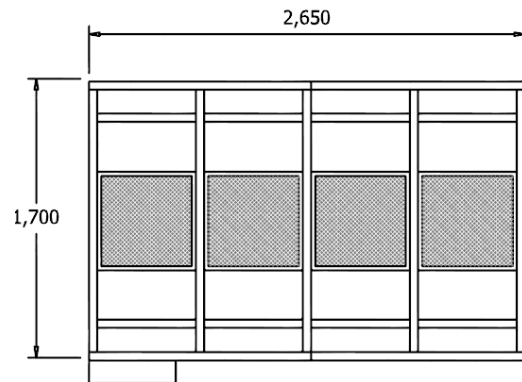
- ISO 14611-1 Class 5 environment
- EG Steel construction with powder-coat or Stainless Steel 304
- Economical and flexible – easily relocated or expanded as required
- Clean work zone environment created for optimum product protection.
- Custom-design to order
- Instrumentation as required



# CLEAN BOOTH



Fan Filter Units



## Standard Technical Specifications

Cleanliness	ISO 14644-1 Class 5
Air Velocity (Filter Face)	0.45 m/s (90FPM) +/- 20%
Instrumentation (optional)	Magnehelic Gauge
Choice of Material	Powder-coated EG Steel or Stainless Steel 304
Lighting	Fluorescent 18W / 36W
Power Supply	AC220V, 50 Hz, Single Phase



**P2M (THAILAND) CO. LTD**  
 75/8 Moo. 11, T.Klong Nueng, A. Klong Luang,  
 Pathumthani 12120. Thailand  
 Tel. (66) 0 2520 3976-9 Fax. (66) 0 2520 3998  
 Email : sales@p2mgroup.com.  
 Website : www.p2mgroup.com

