



PASS BOX W/AIR SHOWER

Product Description

P2M Pass Box with Air Shower offers an effective way to remove contamination from materials and documents before they get into the cleanrooms. The unit is activated automatically after the door is closed. Pressurized clean air streams out from the nozzles at a velocity of 20-25 m/sec to remove particles from incoming materials in the unit.

For heavier equipment or materials on trolleys, floor-mounted units are also available. These floor-mounted units work on the same principle of blowing clean pressurized air onto the incoming equipment to remove any particles adhering on the surface before they enter the cleanroom.



Pass Box with Air Shower – Wall Mount Unit

Features

- Powder coated EG Steel or SUS 304 Main Body
- Electromagnetic Lock
- Side-blow / Top-blow options
- Wall type and floor type available
- Ease of installation and maintenance
- Custom-made sizes are also available.

Applications

Wall-mount units are suitable for transferring documents, parts and components into the cleanroom.

Floor-mount units are suitable for moving heavier equipment or materials on trolleys into the cleanroom.



Pass Box with Air Shower – Floor Mount Unit

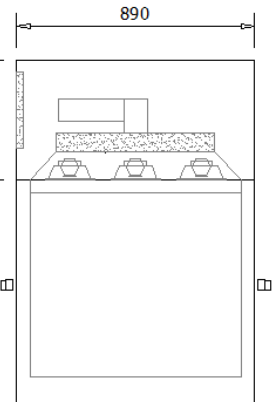
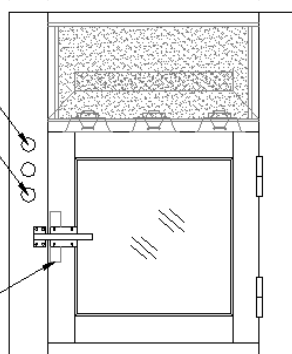
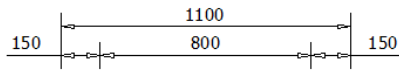
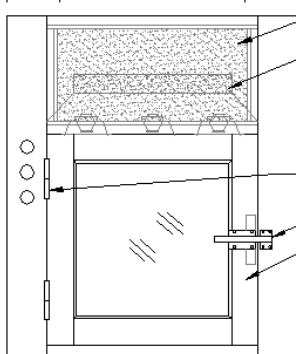
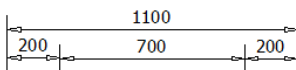
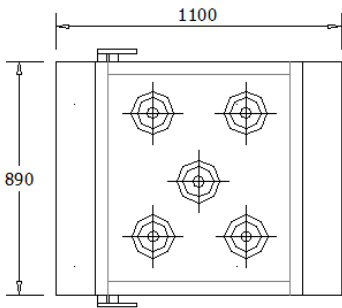


Passbox Air shower Interior

PASS BOX W/AIR SHOWER

Standard Technical Specifications

Model	P2M-PBAS-787
External Dimensions	1100 W x 890 D x 1300 H
Internal Dimensions	700 W x 800 D x 700 H
Structure	Powder-coated EG Steel or SUS 304
Blow Direction	Top Blow, with 5 SUS Nozzles
Door Lock System	Electrical Interlock



P2M (THAILAND) CO. LTD
 75/8 Moo. 11, T.Klong Nueng, A. Klong Luang,
 Pathumthani 12120. Thailand
 Tel. (66) 0 2520 3976-9 Fax. (66) 0 2520 3998
 Email : sales@p2mgroup.com.
 Website : www.p2mgroup.com

