



CLEANROOM AIR SHOWER

Product Description

P2M Air Shower offers an effective way to remove contamination from personnel before they get into cleanrooms. The unit is activated automatically after the door is closed. Pressurized clean air streams out from the adjustable nozzles at a velocity of 20-25 m/sec to remove particles from personnel in the air shower.

The nozzles are arranged in a uniform pattern to ensure effective distribution of filtered air. The closed-loop air circulation design directs air downwards through grills of the air-shower and back to the HEPA filter which removes 99.99% of particles as small as 0.3 micron.

Automatic release interlocking system precludes contamination inflow and prevents cross-contamination of the cleanroom and the air shower. The doors automatically release when power fails to ensure user safety.



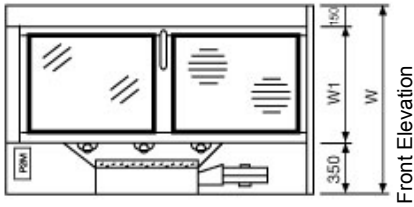
Features

- Modular design allows customers to select a model suitable for their cleanrooms
- HEPA filter (99.99% efficiency at 0.3um particle size)
- Interlocking door automatically release when power fails.
- Economical to operate and easy to maintain

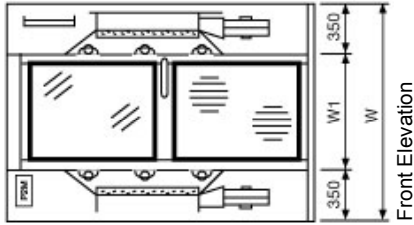
Applications

An ideal choice for personnel to pass into cleanroom areas without sacrificing cleanliness for convenience.

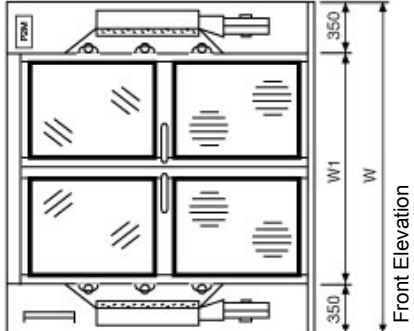
P2M-AS-1300N
Single-Door Single-Side Jetting



P2M-AS-1500N
Single-Door Double-Side Jetting

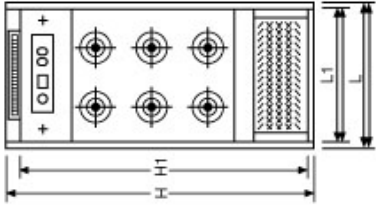
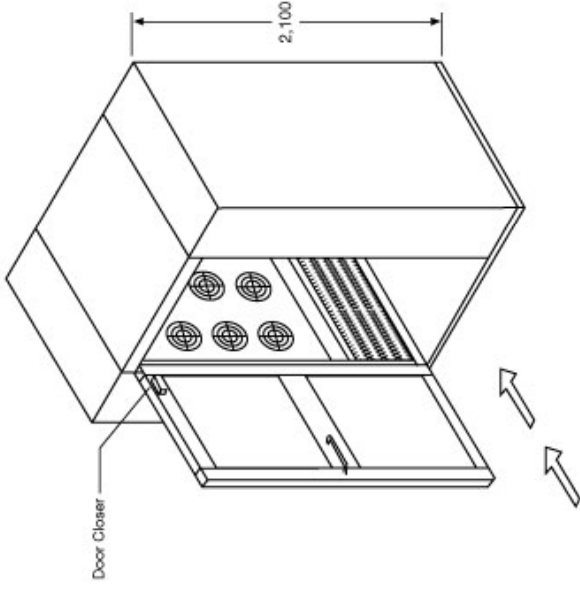


P2M-AS-2300N
Double-Door Double-Side Jetting



W = External Width
L = External Length
H = External Height

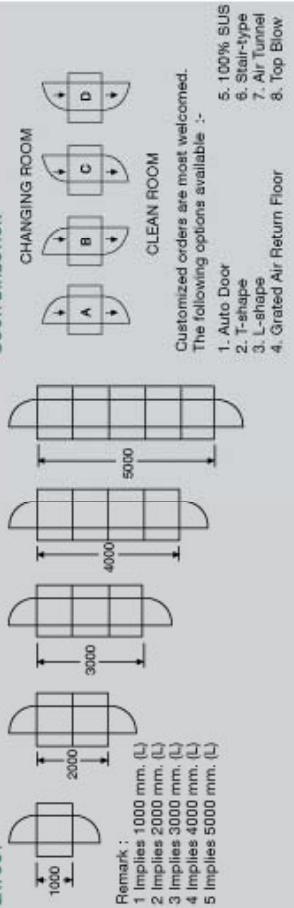
W1 = Internal Width
L1 = Internal Length
H1 = Internal Height



Standard Technical Specifications

SERIES	P2M-AS-1300-N	P2M-AS-1500-N	P2M-AS-2300-N
MODEL	P2M-AS-1300-1	P2M-AS-1500-1	P2M-AS-2300-1
CONSTRUCTION	ELECTROGALVANIZED METAL SHEET	ELECTROGALVANIZED METAL SHEET	ELECTROGALVANIZED METAL SHEET
FINISHING	POWDER COATING	POWDER COATING	POWDER COATING
COLOUR	STANDARD WHITE	STANDARD WHITE	STANDARD WHITE
EXTERNAL DIMENSION W x L x H (MM.)	1300 x 1000 x 2100	1500 x 1000 x 2100	2300 x 1000 x 2100
INTERNAL DIMENSION W1xL1 x H1 (MM.)	800 x 920 x 1960	800 x 920 x 1960	1600 x 920 x 1960
AIR VELOCITY (M/S)	20-25 M/S	20-25 M/S	20-25 M/S
NUMBER OF NOZZLES	5 PCS.	12 PCS.	12 PCS.
LIGHT FIXTURE	FLUORESCENT 18 W x 1 PC	FLUORESCENT 18 W x 1 PC	FLUORESCENT 18 W x 1 PC
HEPA-FILTER SIZE (MM.)	610 x 610 x 75	610 x 610 x 75	610 x 610 x 75
QTY	1 PC	2 PC	2 PC
EFFICIENCY	99.99%@T 0.3 UM.	99.99%@T 0.3 UM.	99.99%@T 0.3 UM.
PRE-FILTER	WASHABLE NON WOVEN POLYESTER	WASHABLE NON WOVEN POLYESTER	WASHABLE NON WOVEN POLYESTER
JETTING SIDE	SINGLE BLOW	DOUBLE BLOW	DOUBLE BLOW
DOOR MATERIAL	ALUMINIUM	ALUMINIUM	ALUMINIUM
DOOR TYPE	SINGLE LEAF AL. HALF GLAZE	SINGLE LEAF AL. HALF GLAZE	SINGLE LEAF AL. HALF GLAZE
DOOR WH (MM.)	765 x 1948	765 x 1948	1510 x 1948
HINGE MATERIAL	STAINLESS STEEL	STAINLESS STEEL	STAINLESS STEEL
HANDLE	STAINLESS STEEL	STAINLESS STEEL	STAINLESS STEEL
LOCK	ELECTRO-MAGNETIC	ELECTRO-MAGNETIC	ELECTRO-MAGNETIC
BLOWER	CENTRIFUGAL BLOW	CENTRIFUGAL BLOW	CENTRIFUGAL BLOW
QTY	1 PC.	2 PC.	2 PC.
ELECTRICAL POWER	AC 220 VOLT, 50 Hz, 1 PHASE	AC 220 VOLT, 50 Hz, 1 PHASE	AC 220 VOLT, 50 Hz, 1 PHASE
POWER CORD (MM.)	1000 (L)	1000 (L)	1000 (L)
WALL OPENING SIZE	W+10 MM., H+5 MM.	W+10 MM., H+5 MM.	W+10 MM., H+5 MM.

LAYOUT



AIR SHOWER



P2M (THAILAND) CO. LTD
75/8 Moo. 11, T.Klong Nueng, A. Klong Luang,
Pathumthani 12120, Thailand
Tel. (66) 0 2520 3976-9 Fax. (66) 0 2520 3998
Email : sales@p2mgroup.com.
Website : www.p2mgroup.com

